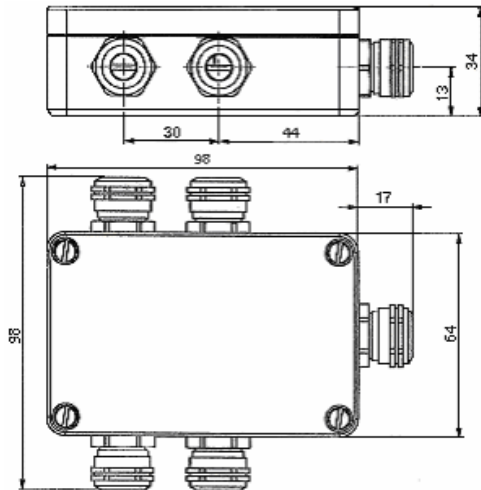


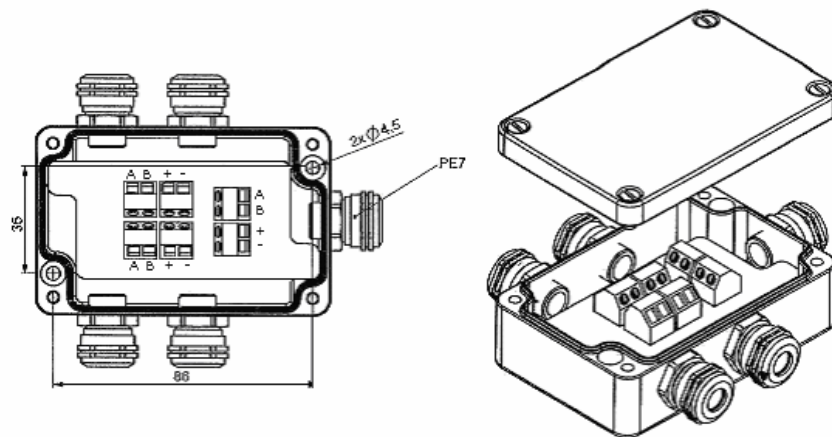
ECOUPLEUR/GB FOR PROFIBUS ENCODERS

The ECOUPLEUR/GB is a terminal box which allows to connect a Profibus encoder with cable output (SHM5/SHA5/SHU9/SHM9 B4R output type) on your Profibus fieldbus.



The connection is done with screw blocks. All screw blocks with the same function are inter-connected (example: all blocks with A signal are inter-connected).

1 cable-gland is scheduled for the encoder cable (2 wires for the power supply, 2 wires for the field bus). The 4 other cable-glands allow the separation of the power supply from the field bus. A cap must be put on every cable-glands not used.



CONNECTION OF SHIELDINGS (see also our installation instructions)

The cable-glands of the ECOUPLEUR/GB have shield connection.

1. Verify the equipotentiality of the grounds, CPU and encoder side.
2. Connect PLC box to the earth.
3. Connect the 0v and the ground together in your PLC.
4. Verify that the mechanical part of the encoder is connected to the earth.
5. Connect the mechanical part of the ECOUPLEUR/GB to the earth (example: cable support). The EMC recommends that the grounds must be connected together the shortest way. The phenomenon of "ground loop" is only a problem for not differential low analogue signals.
Connect the shields together can only be a problem in the case of old installations where the ground of 2 buildings is not the same (example: steel industry sector), this induces a current loop in the shields (particular cases).
6. Connect the general shield of the cable on 360° on each cable-gland used (ECOUPLEUR/GB and PLC). The cable-gland of the encoders connects the shield to the encoder body.
7. If the cable used has a shield by pairs, connect the pair shield to the 0v at the level of your PLC.

Note : the installation of a 100nF/600V capacitor between the ground and the earth bar of the PLC can reduce the influences of the electromagnetic disturbances.