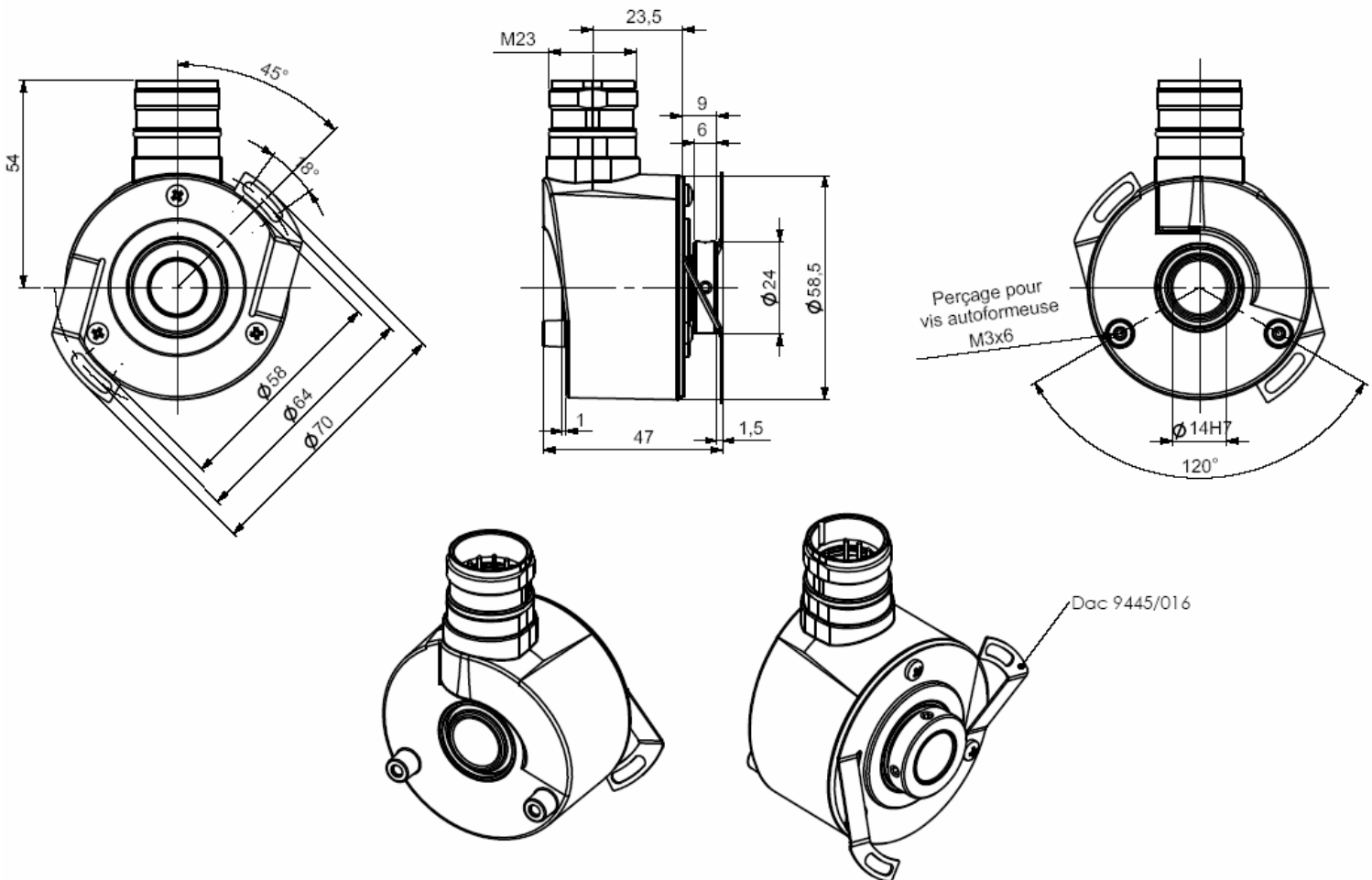


## INCREMENTAL ENCODERS, JHO5S14/OM RANGE

- Through hollow shaft version Ø14mm, with reduction hubs in aluminium of 6, 8, 10 and 12 mm
- Easy mounting for the hollow shafts thanks to DAC (Anti-Coupling Device)
- Robustness and excellent resistance to shocks / vibrations
- High protection level IP65
- Resolutions available : up to 5 000 cpt
- Unbreakable Polyfass disc (Mylar-Mica composite)
- Compact design
- Possibility of duplex / triplex mounting



### JHO5S14/OM connection G6R (radial M23), DAC 9445/016\* mounted on body

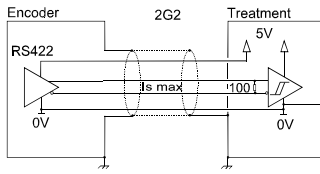


\* Accessory to be ordered separately

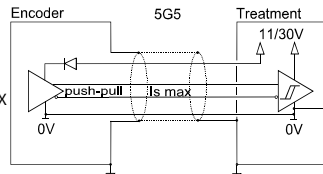
Material	Cover : zinc alloy	Shocks (EN60068-2-27)	≤ 500 m.s <sup>-2</sup> (during 6 ms)
	Body : aluminium	Vibrations (EN60068-2-6)	≤ 100 m.s <sup>-2</sup> (55 ... 2 000 Hz)
	Shaft : stainless steel	EMC	EN 50081-1, EN 61000-6-2
Bearings	6 803 serie	Isolation	1 000 V eff
Maximal loads	Axial : 20 N	Encoder weight (approx.)	0,300 kg
	Radial : 50 N	Operating temperature	- 20 ... + 80°C (encoder T°)
Shaft inertia	≤ 2,2.10 <sup>-6</sup> kg.m <sup>2</sup>	Storage temperature	- 30 ... + 80°C
Torque	≤ 6.10 <sup>-3</sup> N.m	Protection(EN 60529)	IP 65
Permissible max. speed	9 000 min <sup>-1</sup>	Torque (ring pressure screw)	nominal: 1.5 N.m, break: 2.0 N.m
Continuous max. speed	6 000 min <sup>-1</sup>	Theoretical mechanical lifetime 10 <sup>9</sup> turns (F <sub>axial</sub> / F <sub>radial</sub> )	
Shaft seal	Viton	10N / 25N : 230	20N / 50N : 29

## INCREMENTAL ENCODERS, JHO5S14/OM RANGE

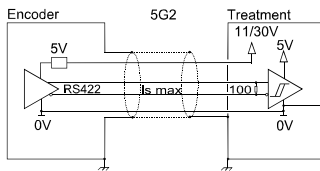
### DIGITAL OUTPUT SIGNALS (SQUARE WAVE SIGNALS)



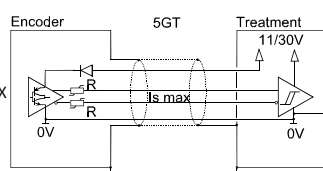
**2G2 electronic**  
Supply : 5Vdc ± 10%  
Cons. without load : 75mA max  
Current per channel : 40mA max  
0 max (Is=20mA) :  $V_{ol} = 0,5Vdc$   
1 min (Is=20mA) :  $V_{oh} = 2,5Vdc$



**5G5 electronic**  
Supply : 11 to 30Vdc  
Cons. without load : 75mA max  
Current per channel : 40mA max  
0 max (Is=20mA) :  $V_{ol} = 0,5Vdc$   
1 min (Is=20mA) :  $V_{oh} = V_{cc}-3Vdc$



**5G2 electronic**  
Supply : 11 to 30Vdc  
Cons. without load : 75mA max  
Current per channel : 40mA max  
0 max (Is=20mA) :  $V_{ol} = 0,5Vdc$   
1 min (Is=20mA) :  $V_{oh} = 2,5Vdc$



**5GT electronic**  
Supply : 11 to 30Vdc  
Cons. without load : 75mA max  
Current per channel : 40mA max  
0 max (Is=20mA) :  $V_{ol} = 1,5Vdc$   
1 min (Is=20mA) :  $V_{oh} = V_{cc}-2,5Vdc$

The 5GT electronic can drive long length of cables (consult us)

Protection against short circuits of the electronics: 5G5, 5GT  
Protection against reverse polarity for all the electronics except 2G2

### STANDARD CONNECTION

		-	+	A	B	0	A/	B/	0/	Ground
G6	12 pins CW	1	2	3	4	5	6	7	8	Connector Body
G8	12 pins CCW	10 + 11	2 + 12	8	5	3	1	6	4	Connector Body
G3	PVC cable 8 wires 8230/020	WH white	BN brown	GN green	YE yellow	GY grey	PK pink	BU blue	RD red	General shielding
GP	PUR cable 12 wires 8230/050	WH white + WH/GN white / green	BU blue + BN/GN brown / green	GY grey	BN brown	RD red	PK pink	GN green	BK black	General shielding

### ORDERING REFERENCE (Contact the factory for special versions, ex: electronics, special flanges, connections...)

	Shaft Ø	Ring	Available electronics		Output signals	Resolution	Connection	Connection orientation
JHO5S	14 : 14mm reduction hubs available up to 6mm 15 : 15mm En option	Ring at the level of the body	2G2, 5G2, 5G5, 5GT		9 : A,A/B,B/0,0/ (0 gated A & B) A : A,A/B,B/0,0/ (0 gated A) N : A,A/B,B/0,0/ (0 gated B)	2 500 max	G6 : M23 12 pins CW G5 : M23 12 pins CW G8 : M23 12 pins CCW G2 : DIN 5 pins GD : DIN 8 pins	R : radial
			Alim	Etages de sortie			G3 : câble PVC 8 fils GP : câble PUR 12 fils	
			2:5Vdc 5:11 to 30Vdc	G2:driver 5Vdc RS422 G5:push-pull GT:push-pull transistorised			Example : R020 : radial cable 2m	
Ex:JHO5S	14 /	OM /	5	G5	9 //	2 500 //	GP	R020

**Available resolution** : 1 2 3 4 5 6 7 8 9 10 11 12 13 14 15 16 18 19 20 21 23 24 25 26 27 28 29 30 32 33 34 35 36 37 38 40 41 42 43 44 45 48 49 **50** 52 53 54 55 56 57 58 **60** 61 62 63 64 66 67 68 69 70 71 72 73 75 78 80 81 84 85 86 87 90 91 92 94 95 96 97 99 **100** 104 108 109 110 113 114 119 **120** 122 **125 127** 128 129 130 131 132 140 147 **150** 152 155 157 160 167 168 170 176 179 **180** 182 183 185 188 190 191 192 194 196 **200** 205 208 209 215 **216** 217 220 223 226 230 236 **240** 243 245 246 248 **250** 251 **254** 255 **256** 260 264 273 280 284 285 290 292 **300** 305 310 **314** 318 320 325 330 331 333 334 335 340 343 350 355 **360** 364 367 370 **375** 380 381 385 392 393 397 **400** 408 410 420 427 430 450 452 455 470 471 475 480 489 **500 512** 515 516 520 521 530 534 545 560 565 572 580 **600** 620 **625** 628 635 660 672 675 700 712 **720** 722 730 745 **750** 754 **762 768** 785 792 **800** 819 840 850 864 880 889 895 **900** 914 **927** 942 960 **1000** 1016 **1024** 1100 1125 1131 1143 1147 1152 **1200** 1225 **1250 1270 1280** 1300 **1440 1500** 1524 1600 1680 1700 1750 **1800** 1872 1885 1895 1920 **2000 2048** 2064 2100 2160 2250 2256 **2400 2480 2500**

Resolution in bold character also available in Digisine™ range

Made in FRANCE