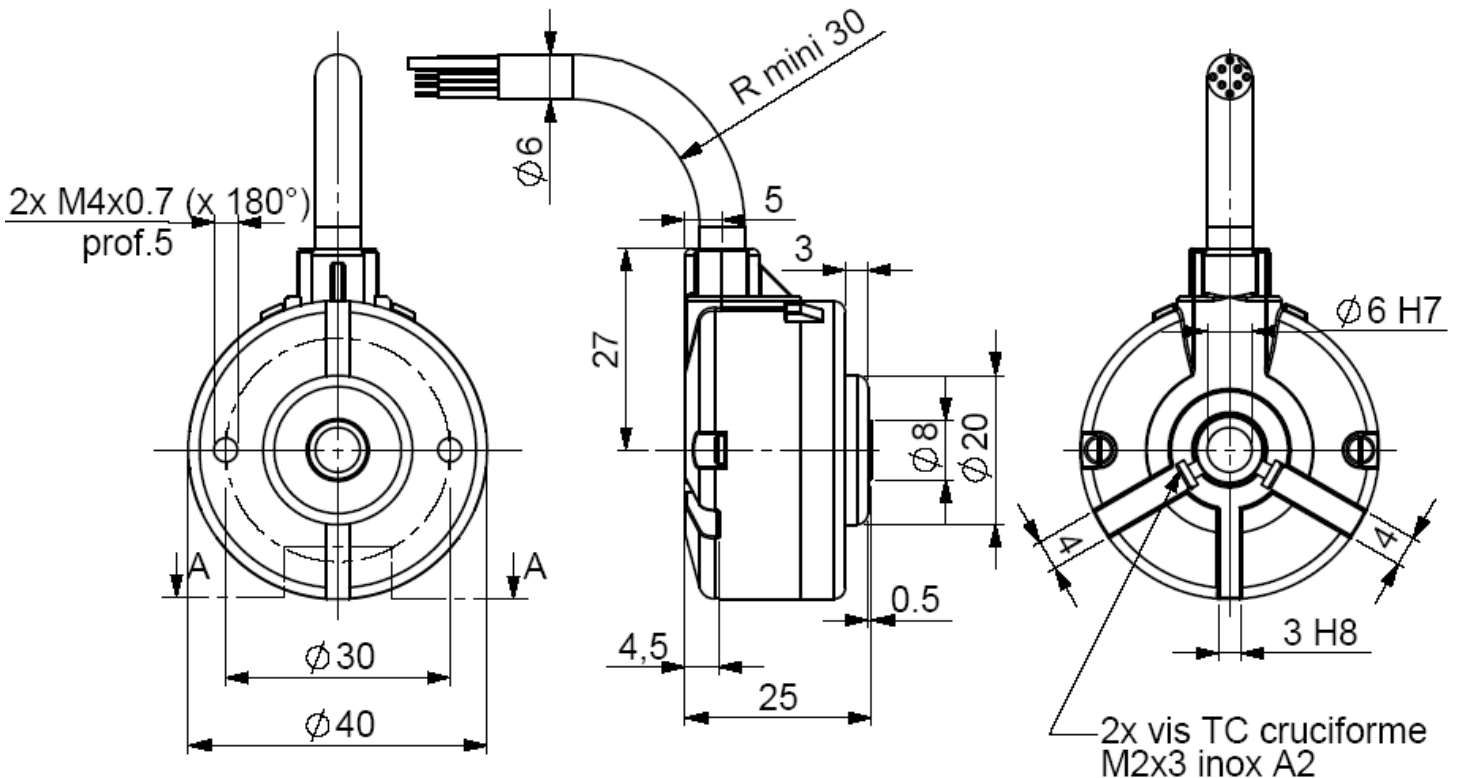


INCREMENTAL ENCODERS, GZT4 RANGE, COMPACTIS™

- With its 40mm size and a 6mm through shaft, this encoder characterizes itself by its strong robustness of the mechanical and opto-electronic parts, it's the most compact really industrial encoder with a through shaft
- Coded discs in synthetic material are used: stable and unbreakable (Polyfass™, Mylar-Myca composite)
- Available resolution up to 1 024 counts per turn (GHT4 option, up to 2 500 counts per turn)
- Universal electronics 5 to 24Vdc available
- Application fields : micro-robotics, printing machines, low power DC motors, shears...



GZT4 connection G3R (radial cable)

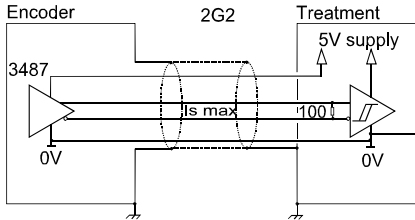


CHARACTERISTICS

Material	Axe : aluminium	EMC	EN 50082-2 (1995)
	Capot : zamac		EN 50081-1 (1992)
	Embase : zamac		
Bearings	688 serie	Isolation	1 000 Veff
Maximale loads	Axial : 10 N	Operating temperature	- 20 ... + 80 °C (encoder T°)
	Radial : 20 N	Storage temperature	- 40 ... + 80 °C
Shaft inertia	$\leq 0,1 \cdot 10^{-6} \text{ kg} \cdot \text{m}^2$	Protection CEI60529 (1989)	IP 52
Torque	$\leq 2 \cdot 10^{-3} \text{ N} \cdot \text{m}$	Shocks (EN60068-2-27)	$\leq 300 \text{ m} \cdot \text{s}^{-2}$ (during 11 ms)
Permissible max. speed	12 000 min^{-1}	Vibrations (EN60068-2-6)	$\leq 100 \text{ m} \cdot \text{s}^{-2}$ (10 ... 500 Hz)
Continuous max. speed	9 000 min^{-1}	Torque (shaft pressure screw)	Nominal : 0,3N.m ; break : 0,5N.m
Encoder weight (approx.)	0,240 kg	Theoretical mechanical lifetime 10^9 turns (F_{axial} / F_{radial})	
		5 N / 10 N : 260	10 N / 20 N : 33

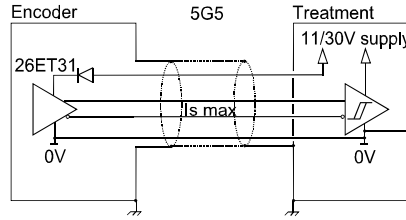
INCREMENTAL ENCODERS, GZT4 RANGE, COMPACTIS™

OUTPUT ELECTRONIC / POWER SUPPLY



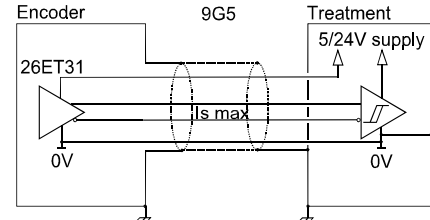
2G2 electronic (100kHz)

Supply : 5Vdc ± 10%
Cons. without load : 100mA max
Current per channel : 40mA max
0 max (I_s=20mA) : V_{ol} = 0,5Vdc
1 min (I_s=20mA) : V_{oh} = 2,5Vdc



5G5 electronic (100kHz)

Supply : 11 to 30Vdc
Cons. without load : 75mA max
Current per channel : 40mA max
0 max (I_s=20mA) : V_{ol} = 0,5Vdc
1 min (I_s=20mA) : V_{oh} = V_{cc}-3Vdc



9G5 electronic(100kHz)

Supply : 5 to 24Vdc
Cons. without load : 75mA max
Current per channel : 40mA max
0 max (I_s=20mA) : V_{ol} = 0,5Vdc
1 min (I_s=20mA) : V_{oh} = V_{cc}-3Vdc

Protection against short circuits of the electronics : 5G5 and 9G5

Protection against inversion of polarity for the electronics : 5G5

STANDARD CONNECTION

		-	+	A	B	0	A/	B/	0/	Ground
G3	PVC cable, 8 wires 8230/020	WH white	BN brown	GN green	YE yellow	GY grey	PK pink	BU blue	RD red	Connector body

ORDERING REFERENCE (Contact the factory for special versions , ex: special flanges, electronics, connections...)

	Shaft Ø	Available electronics		Output signals	Resolution	Connectique	Connection orientation
GZT4	06 : 6mm	2G2, 5G5, 9G5		9:A,A/,B,B/,0,0/ (0 gated A & B)	1 024 max	G3 : PVC cable 8 wires	Example : R020: radial cable 2m
	04: 4mm (option)	Supply	Output stage				
	6.35 : 6.35 mm (option)	2 : 5Vdc	G2 : 5Vdc RS422 G5 : push-pull	A:A,A/,B,B/,0,0/ (0 gated A)	Nota : 2500 with the GHT4		
		5 : 11 to 30Vdc 9 : 5 to 24Vdc		N:A,A/,B,B/,0,0/ (0 ungated)			
Ex:GZT4	06 //	5	G5	9 //	1 024 //	G3	R020

Available resolutions : 1 2 4 5 8 10 16 20 24 25 27 30 36 40 50 60 64 90 100 120 125 128 144 150
170 180 200 250 300 360 400 500 512 600 720 800 1000 1024

Made in France